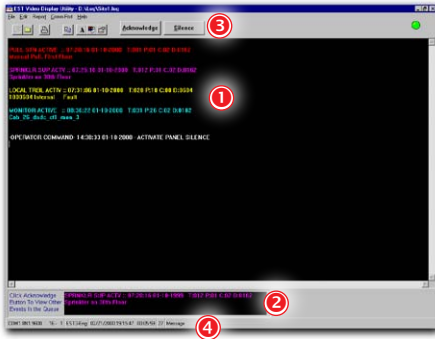


## Overview

The 3-VDUT *Video Display Utility for Text* is a software package that runs on an IBM-compatible personal computer. The software allows ancillary annunciation of EST3 system events in text format. The 3-VDUT is a 32-bit program compatible with Windows 2000® or Windows XP® (SP2) operating systems.



The 3-VDUT features **1** color-coded event messages, **2** a highly-visible Event Queue Box, **3** an easy-to-use toolbar, and **4** at-a-glance program status reporting.

## Standard Features

- **Standalone software package**
  - Allows Non-UL864 PCs to monitor EST3 events
- **Provides easy-to-follow text annunciation in plain language**
- **Password protection option**
- **History log stored on PC hard drive**
- **Simple connection and setup**
  - Installation program sets system parameters
- **Logs a minimum of 10,000 unacknowledged events**
- **Logs a minimum of 1,000 unacknowledged alarm events**
  - Display is color-coded for easy identification of event type

# Video Display Utility for Text Annunciation

## 3-VDUT



## Application

The 3-VDUT is used for ancillary annunciation of EST3 events. Events display on the connected IBM-compatible personal computer (see Specifications for minimum computer requirements). The software displays Alarm, Supervisory, Trouble and Monitor events received via the 3-CPU3 printer (COM) port.

The 3-VDUT display consists of a Status Bar, Toolbar, as well as two message panes: the Message List and the Event Queue Box.

**The Message List** is a review of all messages reported by the system during the current session. Messages display in the order they arrive and are color-coded according to event type. Event colors, display fonts, and type size are all user-selectable. Messages may be displayed as either event codes or plain language text and can be printed directly from the 3-VDUT program.

**The Event Queue Box** appears when there are unacknowledged events. It displays related messages. When a new off-normal event is received, the system sounds an audible signal. Messages may be acknowledge by clicking the Acknowledge button on the program's toolbar, or by clicking the message in the Event Queue Box itself. Messages are color-coded according to event type.

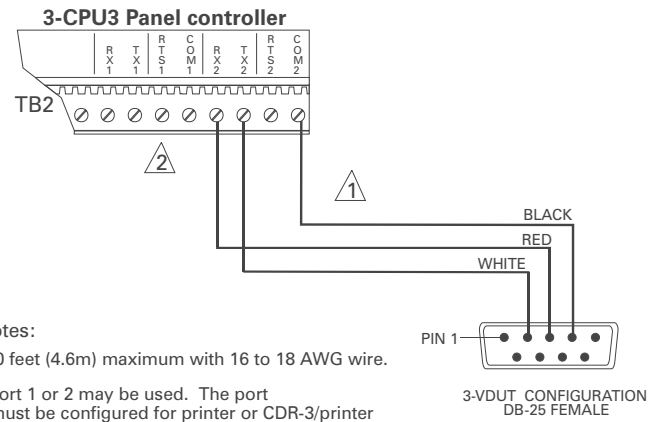
**The toolbar** provides quick access to 3-VDUT menu commands including: Open Log File; Print; Close Log File; Copy to Clipboard; Change Font; User Preference Settings; and, Change Port Settings. In addition to these shortcuts to menu commands, the toolbar includes *Acknowledge* and local *Silence* buttons. The *Acknowledge* button acknowledges off-normal messages in the message queue pane and clears that message from the pane. The *Silence* button turns off 3-VDUT audible signaling.

**The Status Bar**, located at the bottom of the 3-VDUT window, provides fields for at-a-glance monitoring of the program's operation. Status Bar fields report on communication port settings, cursor position, panel and report type, date and time, connection duration, number of unacknowledged messages, and message transmission progress.

**History Files.** The software allows events to be logged to a history file, which can be viewed, edited and printed with any word processor, including Notepad and Wordpad included with the operating system. Text may also be copied to the Windows clipboard and pasted directly into other programs such as word processors, spreadsheets, or databases.

**Password Protection.** 3-VDUT provides a single level of password protection. When password protection is enabled, the user is prompted to enter the password whenever a protected command is chosen. Protected commands include *Font*, *User Settings*, and *Comm Port Properties*.

## Typical Wiring



## Engineering Specification

Supply, where needed, a means of displaying system events on a personal computer. The text of each event must be colored to allow events of different types to be easily distinguished. It must be possible to log events to history for review by any Windows® based text editor.

## Specifications

|                                |  |
|--------------------------------|--|
| 3-VDUT                         | 3-VDUT   |
| Compatible EST3 firmware       | Version 1.3, 1.4 or 1.5, 2.0, 3.0, 3.1, 3.2, 3.4, 3.5  |
| Minimum computer Specification | IBM-compatible PC with: <ul style="list-style-type: none"> <li>• ITE listing</li> <li>• Pentium processor</li> <li>• Windows 2000 or Windows XP (SP2)</li> <li>• CD-ROM Drive (See note 2)</li> <li>• Internal real-time clock</li> <li>• RS-232 serial port</li> <li>• Parallel printer port</li> <li>• Mouse and Keyboard</li> <li>• SVGA monitor (800 x 600 resolution, 256 colors)</li> <li>• 10 Mb free hard drive space</li> </ul> |
| Software Format                | CD-ROM with installation manual and software Key   |

Connection of the panel controller to the 3-VDUT computer is via four-wire (fourth wire not used), twisted-pair conductors of 16 or 18 AWG wire with a female DB-9 connector for the computer side. The distance between the 3-VDUT computer and the panel controller should not exceed 50 feet.

## Ordering Information

| Model  | Description   | Shipping Wt.<br>lb (kg) |
|--------|---|-------------------------|
| 3-VDUT | Video Display Utility for Text Annunciation Software (See note 1) | 1 (.45)                 |

The 3-VDUT software is shipped on CD-ROM. If your PC does not have a CD drive, 3-VDUT provides a method to create 3.5" floppy disks on a computer with a CD drive for program installation on the machine with no CD drive.

# GE Security

U.S.  
T 888-378-2329  
F 866-503-3996

Canada  
T 519 376 2430  
F 519 376 7258

Asia  
T 852 2907 8108  
F 852 2142 5063

Australia  
T 61 3 9259 4700  
F 61 3 9259 4799

Europe  
T 32 2 725 11 20  
F 32 2 721 86 13

Latin America  
T 305 593 4301  
F 305 593 4300

[www.gesecurity.com](http://www.gesecurity.com)

© 2006 General Electric Company  
All Rights Reserved



imagination at work