

Overview

The EST3 system supports a full range of annunciator options. Annunciator cabinets are constructed from 16 gauge cold rolled steel. The gray textured enamel finish of the annunciators complements any decor. Both surface and semi-flush mounting cabinet configurations maximize mounting flexibility and esthetic appeal. Cabinet arrangements allow both LED and LCD annunciation to easily combine in a single enclosure. Slide in labeling for LEDs and switches provides designation flexibility for labeling in local languages. For graphic annunciation EST3 offers LED driver boards perfectly suited to operate in most graphic annunciators.

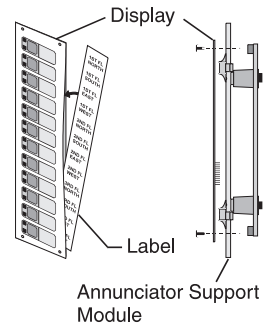
Standard Features

- Graphical display supports up to 168 characters
- LCD uses queues to sort events
- Variety of wallbox configurations
- Programmable LED flash rates
- Slide-in labels
Makes customization for regional language easy
- Full line of driver boards for graphic annunciators

Application

Use EST3 remote annunciators when a compact system status display is needed. Annunciator configurations include: LCD only display, LED only displays or combination LED and LCD display in a single enclosure.

The LCD display uses the 3-LCD Liquid crystal display module. The 3-LCD has a 128 x 64 graphical display typically used to display eight lines of 21 characters on its LCD display providing the room needed to convey emergency information in a useful format.



The 3-LCD always displays the last highest priority event even when the user is viewing other message queues. To give the greatest message flexibility EST3 event messages can route to specific annunciators. Routing can be initiated at a specific time/shift change. Messages need only display in areas having to respond to an event.

For LED display, the full line of EST3 Control/Display Modules support event display. Control/Display modules install over any annunciator support module maximizing annunciator design flexibility. A Lamptest feature can program to any spare control switch. If a 3-LCD display is installed in the annunciator, simply operate the Alarm Silence and Trouble Silence switches simultaneously to lamptest all LEDs.

EST3 Remote Annunciators

3-ANNCPU3, 3-LCDANN, 3-6ANN,
3-10ANN, 3-EVXXX



EN54-2:1997+A1 and EN54-4:1997+A1:2002+A2 pending



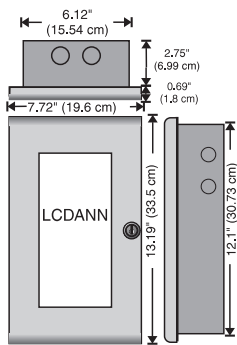
Engineering Specification

The Life Safety system shall incorporate annunciation of Alarm, Supervisory, Trouble and Monitor operations. Annunciation must be through the use of both LED display strips complete with a means to custom label each LED as to its function. Where applicable control switches must be provided. Switches with LEDs must provide positive feed back to the operator of remote equipment status. An LCD display with basic common control LEDs and switches shall be provided. The Common Control Switches and LEDs provided as minimum will be: Reset switch and LED, Alarm Silence switch and LED, Panel Silence switch and LED, Drill switch and LED. It must be possible to add additional common controls as required though the use of modular display / control units. The LCD interface must

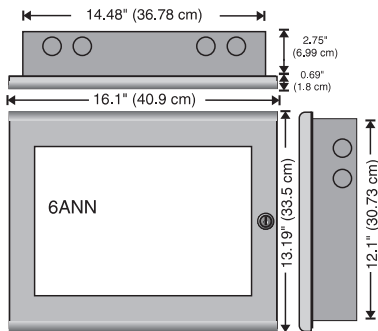
provide the ability to display custom event messages of up to 42 characters. The LCD must provide the emergency user, hands free viewing of the first and last highest priority event. The last highest priority event must always display and update automatically. System events must automatically be placed in queues. It shall be possible to view specific event types separately. Having to scroll through a mixed list of events types is not acceptable. The total number of active events by type must be displayed. It must be possible to customize the designations of all user interface LEDs and switches for local language requirements. It must be possible to route system event messages to specific annunciator locations.

Wallbox Installation and Mounting

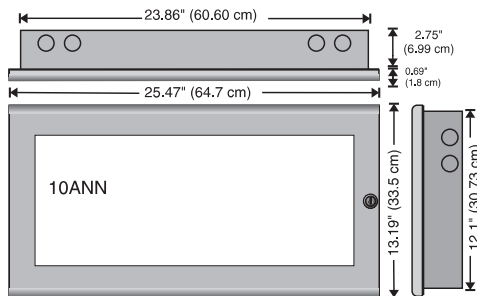
Semi-Flush Mounting



RLCM/B

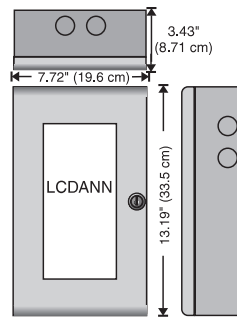


6ANN/B

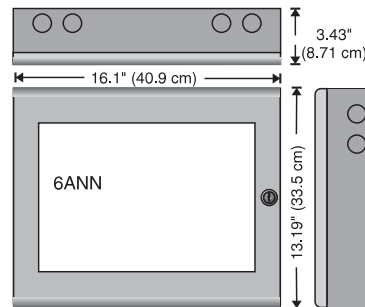


10ANN/B

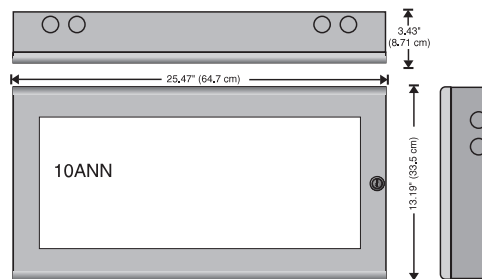
Surface Mounting



RLCM/B-S



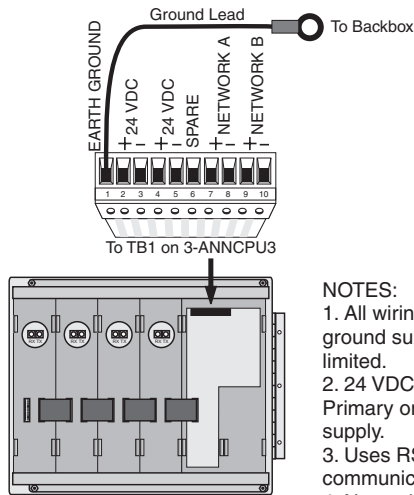
6ANN/B-S



10ANN/B-S

Typical Wiring

Rear view 3-ANNCPU3 Field Wiring 3-6ANN Shown

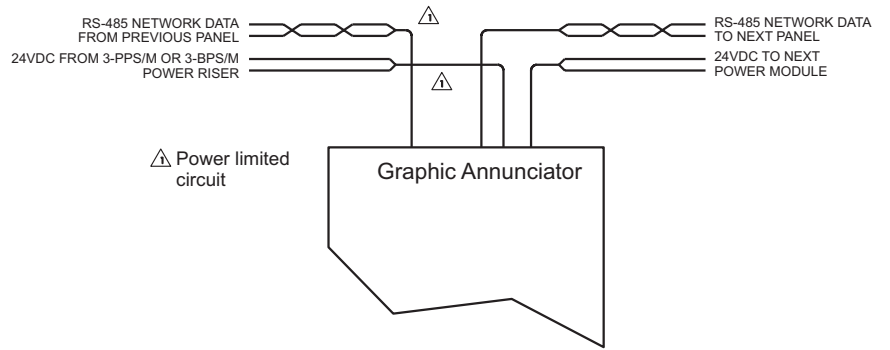


- NOTES:
1. All wiring except earth ground supervised and power limited.
 2. 24 VDC available from Primary or Booster Power supply.
 3. Uses RS-485 Network communication format
 4. Network wiring Twisted Pair

Power Riser

Calculate wire size for a maximum 3.4 Vdc total line loss from the 24 Vdc nominal voltage.

Graphic Annunciator Field Wiring



Wire Specifications

Network Data Communications - RS485 Format

Minimum Twisted Pair	18 AWG (0.75 mm ²).
Maximum Circuit Resistance	90 Ohms
Maximum Circuit Capacitance	0.3 µF
Maximum Distance between any 3 panels	5,000 ft. (1,524 m).

Capacitance, entire network

Maximum Accumulative Capacitance

Wire Size	38.4K Baud	19.2K Baud
18 AWG	1.4 µF	2.8 µF
16 AWG	1.8 µF	3.6 µF
14 AWG	2.1 µF	4.2 µF

Distance limits are determined using the maximum allowable circuit resistance and capacitance, and manufacturer's cable specifications.

Specifications

Catalog Number	3-ANNCPU3	3-ANNSM	3-LCD
Agency Listings	UL, ULC, FM, CE, LPCB EN54* pending.		
Mounting Space	Two Spaces	One Space	Mounts over 3-ANNCPU
Communication Format	RS-485	N/A	N/A
Current @ 24 Vdc			
Standby	120 mA	10mA	38 mA
Alarm	140 mA	10mA	38 mA
Wiring Termination	Plug in terminal strip		
Wiring Size	Twisted Pair 18-14 AWG (0.75-1.5 mm ²)		N/A
Max. Wire Distance	5000 ft (1524m) between any 3 panels		
Relative Humidity	93% non condensing at 90° F (32° C)		
Temperature Rating	0-49° C (32 - 120° F)		
Wiring Styles	Class A or Class B		

Note: For a complete list of EST3 annunciator display and control modules please refer to GE Security literature sheet part number 85010-0055.

* EN54-2:1997+A1 and EN54-4:1997+A1:2002+A2 pending

U.S.
T 888-378-2329
F 866-503-3996

Canada
T 519 376 2430
F 519 376 7258

Asia
T 852 2907 8108
F 852 2142 5063

Australia
T 61 3 9259 4700
F 61 3 9259 4799

Europe
T 32 2 725 11 20
F 32 2 721 86 13

Latin America
T 305 593 4301
F 305 593 4300

www.gesecurity.com

© 2006 General Electric Company
All Rights Reserved

Ordering Information

Catalog Number	Description	Ship Wt. lb (kg)
3-LCDANN	Remote LCD Command Module Annunciator - Comes with CPU, LCD display and doors. Order wallbox separately.	3.8 (1.7)
3-LCDANN(-E)	Remote LCD Command Module Annunciator - Comes with CPU, LCD display and doors. Order wallbox separately. For EN54* market only, CE.	3.8 (1.7)
3-6ANN	Six Position Base Annunciator - Comes with two 3 - ANNSM annunciator support modules, a CPU, and doors. Order Display/Control modules, additional support modules & wallbox separately.	6.28 (2.85)
3-6ANN(-E)	Six Position Base Annunciator - Comes with two 3 - ANNSM annunciator support modules, a CPU, and doors. Order Display/Control modules, additional support modules and wallbox separately. For EN54* market only, CE.	6.28 (2.85)
3-10ANN	10 Position Base Annunciator - Includes two 3 - ANNSM annunciator support modules, a CPU, and doors. Order Display/Control modules, additional support modules and wallbox separately.	10.5 (4.8)
3-10ANN(-E)	10 Position Base Annunciator - Comes with two 3 - ANNSM annunciator support modules, a CPU, and doors. Order Display/Control modules, additional support modules and wallbox separately. For EN54* market only, CE.	10.5 (4.8)
3-ANNCPU3	Annunciator CPU	1 (.45)
3-ANNSM	Annunciator Support Module	.45 (.2)
3-LCD	Liquid Crystal Display Module	.8 (.36)
3-ANNBF	Blank Filler Plate	.5 (.22)
3-24R	24 Red LED Display Module	.35 (.12)
3-24Y	24 Yellow LED Display Module	.35 (.12)
3-24G	24 Green LED Display Module	.35 (.12)
3-12SR	12 switches with 12 Red LED Display/Control Module	.35 (.12)
3-12SY	12 switches with 12 Yellow LED Display/Control Module	.35 (.12)
3-12SG	12 switches with 12 Green LED Display/Control Module	.35 (.12)
3-12RY	12 Red LED and 12 Yellow LED Display Module	.35 (.12)
3-12/S1GY	12 switches with one Green and one Yellow LED per switch Display/Control Module	.35 (.12)
3-12/S1RY	12 switches with one Red and one Yellow LED per switch Display/Control Module	.35 (.12)
3-12/S2Y	12 switches with two Yellow LEDs per switch Display/Control Module	.35 (.12)
3-6/3S1G2Y	Six groups of three switches. Each switch with one LED. LEDs provided Green, Yellow, Yellow.	.35 (.12)
3-6/3S1GYR	Six groups of three switches. Each switch with one LED. LEDs provided Green, Yellow, Red.	.35 (.12)
3-EVDVR	LED/SWITCH Driver Module, For GE Security Graphics	.35 (.12)
3-EVDVRA	LED/SWITCH Driver Module Assembly for Third-party Graphics	.35 (.12)
3-EVPWR	Power Supply for GE Security Graphics	.5 (.22)
3-EVPWRA	Power Supply Assembly c/w 19 inch rail mounting chassis assembly space for one 3-ANNCPU3 for Third-party Graphics	2.5 (1.2)
3-EVDVRX	Plastic mounting extrusion 19 inch mounting - Space for up to three 3-EVDVRA modules.	.35 (.12)
<i>*EN54-2:1997+A1 and EN54-4:1997+A1:2002+A2 pending</i>		
Enclosures		
RLCM/B	Remote Command module flush mount LCD wallbox	2.5 (1.2)
RLCM/B-S	Remote Command module surface mount LCD wallbox	2.5 (1.2)
3-RLCM/D	Inner & outer doors for RLCM/B(-S)	2 (.9)
6ANN/B	Six position LED/LCD flush mount wallbox	6 (2.7)
6ANN/B-S	Six position LED/LCD surface mount wallbox	6 (2.7)
10ANN/B	Ten position LED/LCD flush mount wallbox	6 (2.7)
10ANN/B-S	Ten position LED/LCD surface mount wallbox	6 (2.7)



imagination at work